

SUPER SHED FELT

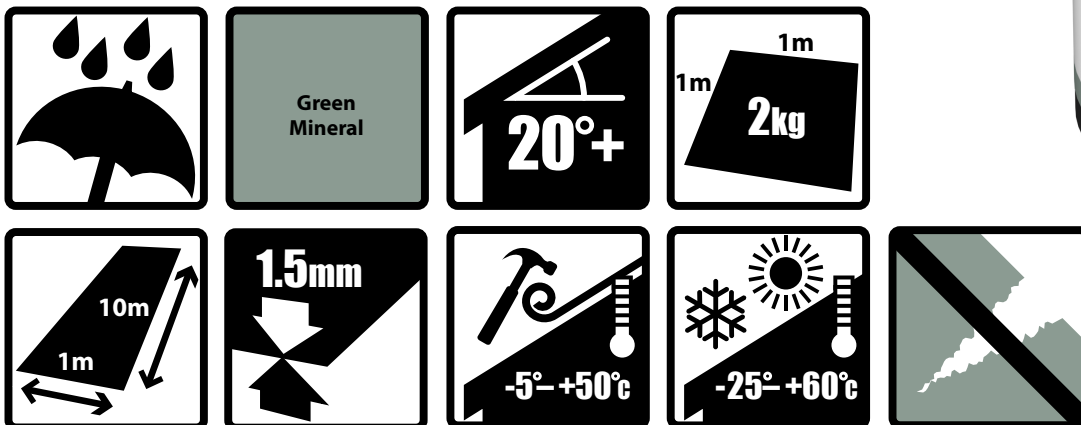
High specification polyester roofing membrane for non-habitable garden buildings and huts.

- Long life expectancy
- Better tear resistance than traditional membranes
- Quick and easy to install (fitting instructions on reverse)
- Life expectancy 15 years

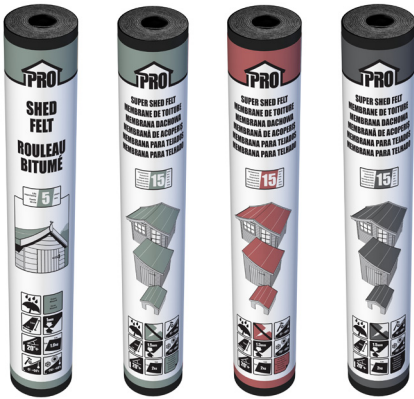
Manufactured in the UK for Radmat Building Products Ltd, Holland House Valley Way, Rockingham Road, Market Harborough, Leicestershire, LE16 7PS.
Hotline number +44 (0) 1858 412109 support@rooftrade.co.uk









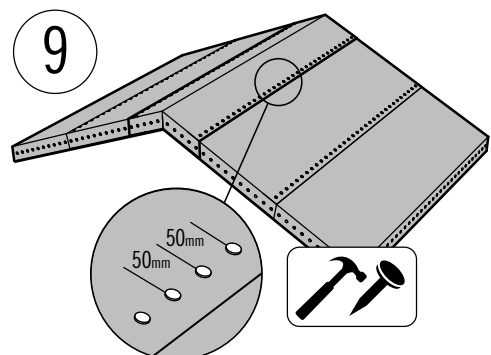
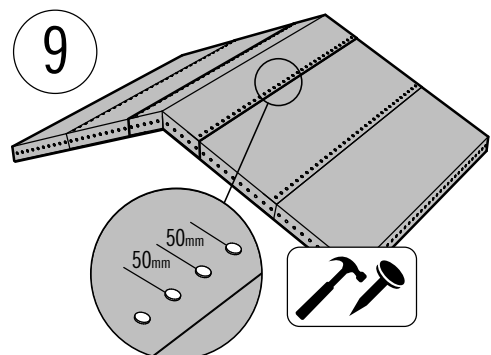
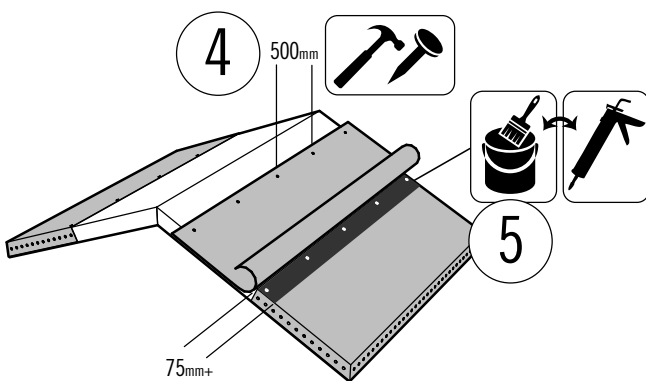
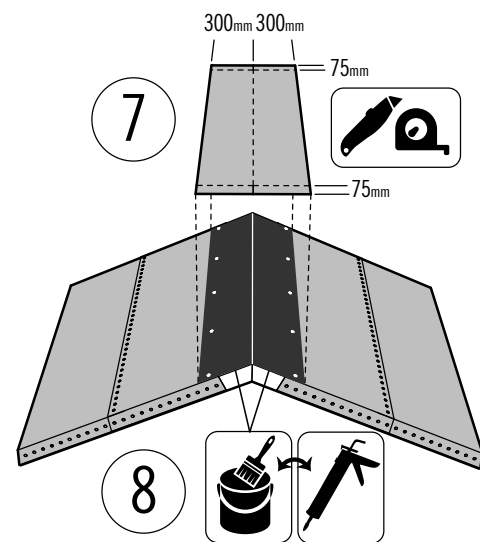
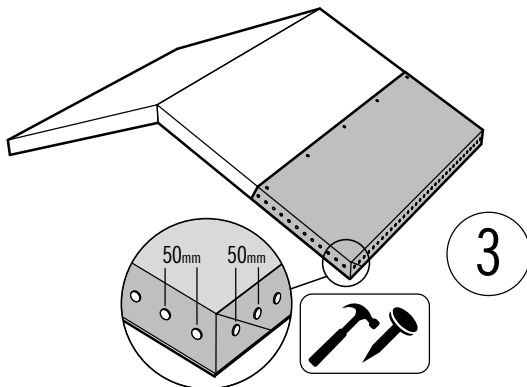
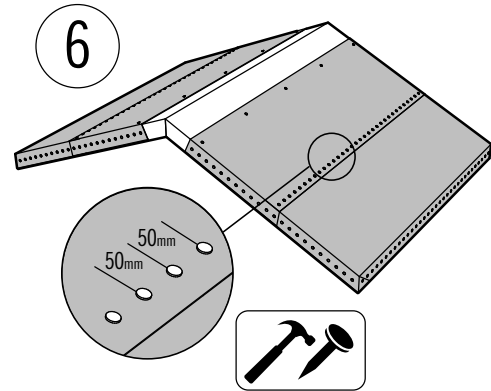
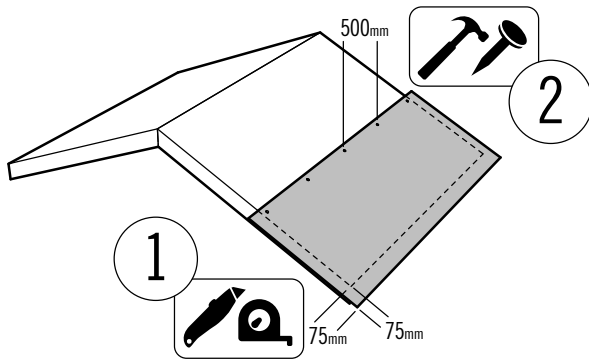
Declaration of Performance (DOP) available at www.rooftrade.co.uk



Fitting Instructions



Required			
	Roofing felt adhesive		Roofing felt lap mastic
			



Declaration of Performance

EAN Numbers:	5060382232807 5060382232951
Reference Numbers:	800352, 800464
Factory Production Control Certificate Number:	0809-CPR-21000631
1. Product Group: Polyester Super Shed Felt	
2. Product name/code: Roof Pro 15 Year Roof Membrane (Green)	5060382232807, 5060382232951

3. Intended use or uses of the construction product, in accordance with the applicable harmonised technical specification, as foreseen by the manufacturer:

Roof waterproofing. A high-performance polyester based modified bitumen roofing membrane finished with a fine slate granule upper surface to aid UV protection. For use on apex and pent roofed non-habitable garden buildings and animal shelters, either mechanically fixed and/or adhered with felt adhesive.

4. Manufacturer:

Radmat Building Products Ltd,
Holland House,
Valley Way,
Rockingham Road,
Market Harborough,
LE16 7PS,
United Kingdom

5. Authorised Representative:

Radmat (Ireland) Limited, 3 Inns Quay, Dublin 7, Ireland

6. System or systems of assessment and verification of constancy of performance of the construction product as set out in the Annex V of the CPR:

System 2+

7. Notified Body:

FPC Certificate obtained from Eurofins Expert Services OY, EU Notified Body registered under registration number 0809 with reference to **EN 13707:2004+A2:2009** and **CPR 305/2011/EU**.

8. Not applicable.

This information given in good faith being based on the latest knowledge available to Radmat Building products Ltd. Whilst every effort has been made to ensure that the contents of the publication are current while going to press, customers are advised that products, techniques and codes of practice are under constant review and liable to change without notice.

Declaration of Performance

9. Declared Performance:

Characteristic	Specific Test ref.	Declared Performance	Harmonised Standard (hEN)
Roll length*	EN 1848-1	10m	EN 13707:2004+A2:2009 for all
Roll width**	EN 1848-1	1m	
Weight***	EN 1849-1	20kg	
Watertightness	EN 1928 method a.	PASS	
Tensile strength:**** Longitudinal Transverse	EN 12311-1	425 N/50mm 300 N/50mm	
Elongation at maximum load: Longitudinal Transverse	EN 12311-1	28% 39%	
Resistance to tearing:**** Longitudinal Transverse	EN 12310-1	155 N 160 N	
Straightness	EN 1848-1	PASS	
Visible Defects	EN 1850-1	PASS	
External Fire Performance	EN 13501-5	F _{ROOF(t4)}	
Reaction to Fire	EN 13501-1	F	

*tolerance of ≥ 150 mm

**tolerance of $\pm 1.5\%$

***tolerance of $\pm 7.5\%$

****tolerance of $\pm 15\%$

10. The performance of the product identified in 1. and 2. above is in conformity with the declared performance stated in 9.

Signed by and on behalf of the supplier by:



Robert Speroni
Managing Director
January 2022

This information given in good faith being based on the latest knowledge available to Radmat Building products Ltd.
Whilst every effort has been made to ensure that the contents of the publication are current while going to press, customers are advised that products, techniques and codes of practice are under constant review and liable to change without notice.

Declaration of Performance

EAN Numbers:	5060382232807 5060382232951
Reference Numbers:	800352, 800464
Factory Production Control Certificate Number:	UK 0836-CPR-13/F049
1. Product Group: Polyester Super Shed Felt	
2. Product name/code: Roof Pro 15 Year Roof Membrane (Green)	5060382232807, 5060382232951

3. Intended use or uses of the construction product, in accordance with the applicable harmonised technical specification, as foreseen by the manufacturer:

Roof waterproofing. A high-performance polyester based modified bitumen roofing membrane finished with a fine slate granule upper surface to aid UV protection. For use on apex and pent roofed non-habitable garden buildings and animal shelters, either mechanically fixed and/or adhered with felt adhesive.

4. Manufacturer:

Radmat Building Products Ltd,
Holland House,
Valley Way,
Rockingham Road,
Market Harborough,
LE16 7PS,
United Kingdom

5. Authorised Representative:

Radmat (Ireland) Limited, 3 Inns Quay, Dublin 7, Ireland

6. System or systems of assessment and verification of constancy of performance of the construction product as set out in the Annex V of the CPR:

System 2+

7. Notified Body:

The British Board of Agreement (BBA) performed an initial inspection of the manufacturing plant and factory production control and performs continuous surveillance, assessment and evaluation of factory production control under system 2+ and issued a certificate of conformity of factory production control with reference to BS EN13707:2013 and The Construction Products Regulations and The Construction Products (Amendments etc) (EU Exit) Regulations 2019.

8. Not applicable.

This information given in good faith being based on the latest knowledge available to Radmat Building products Ltd. Whilst every effort has been made to ensure that the contents of the publication are current while going to press, customers are advised that products, techniques and codes of practice are under constant review and liable to change without notice.

Declaration of Performance

9. Declared Performance:

Characteristic	Specific Test ref.	Declared Performance	Harmonised Standard (hEN)
Roll length*	BS EN 1848-1	10m	BS EN 13707:2013 for all
Roll width**	BS EN 1848-1	1m	
Weight***	BS EN 1849-1	20kg	
Watertightness	BS EN 1928 method a.	PASS	
Tensile strength:****	BS EN 12311-1	425 N/50mm 300 N/50mm	
Longitudinal			
Transverse			
Elongation at maximum load:	BS EN 12311-1	28% 39%	
Longitudinal			
Transverse			
Resistance to tearing:****	BS EN 12310-1	155 N 160 N	
Longitudinal			
Transverse			
Straightness	BS EN 1848-1	PASS	
Visible Defects	BS EN 1850-1	PASS	
External Fire Performance	BS EN 13501-5	F _{ROOF(t4)}	
Reaction to Fire	BS EN 13501-1	F	

*tolerance of >=150mm

**tolerance of +/- 1.5%

***tolerance of +/- 7.5%

****tolerance of +/- 15%

10. The performance of the product identified in 1. and 2. above is in conformity with the declared performance stated in 9.

Signed by and on behalf of the supplier by:



Robert Speroni
Managing Director
January 2022

This information given in good faith being based on the latest knowledge available to Radmat Building products Ltd.
Whilst every effort has been made to ensure that the contents of the publication are current while going to press, customers are advised that products, techniques and codes of practice are under constant review and liable to change without notice.